

## FC40R Return Grille Filter

### SPECIFICATION DATA



### FEATURES

- Mounts in most third party return filter grilles.
- Provides high-efficiency alternative to one-inch filter.
- Captures particles as small as 0.3 micron.
- Pleated filter for greater media capacity.
- Easy installation. Pre-assembled filter easily inserts into and out of existing return grille.
- Exclusive frame design nests properly into place.
- Low pressure drop reduces strain on equipment, provides a comfortable air flow and maintains equipment efficiency longer than standard filters.

### APPLICATION

The FC40R Return Grille Filter is a high-efficiency, long-life replacement for return grille applications. It captures a significant amount of the airborne particles in the air that circulate through the filter.

(Honeywell recommends allowing a depth of seven inches behind the grille to provide space for the deeper filter and airflow through the filter.)

### SPECIFICATIONS

#### IMPORTANT

*The specifications in this publication do not include normal manufacturing tolerances; therefore, this unit may not exactly match the listed specifications. Also, this product is tested and calibrated under closely controlled conditions, and some minor differences in performance can be expected if those conditions are changed.*

#### FC40R Efficiency:

(Efficiency Ratings Based on American Society of Heating Refrigerating and Air-Conditioning Engineers Standard 52.2-1999.)

Initial Efficiency: 15 percent (0.3-0.4 micron particles).

Initial Efficiency: 83 percent (7.0-10.0 micron particles).

Minimum Efficiency Reporting Value (MERV): 8 at 492 fpm.

**Initial Pressure Drop:** 0.177 in. wc at 492 fpm.

**Temperature Rating:** -40° to 140°F (-40° to 60°C).

**Approvals:** Underwriters Laboratories, Inc: Listed to UL900, Class 2.

**Accessories:** W8600A AIRWATCH® Indicator (optional).

#### Replacement Schedule:

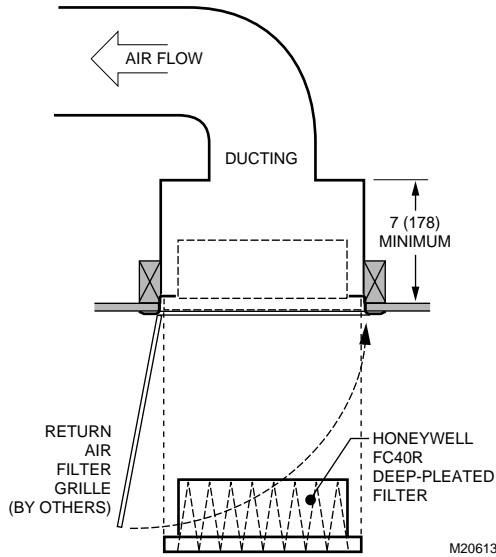
Replace filter every 12 months or more often if filter appears dirty enough to block airflow through heating/cooling system.



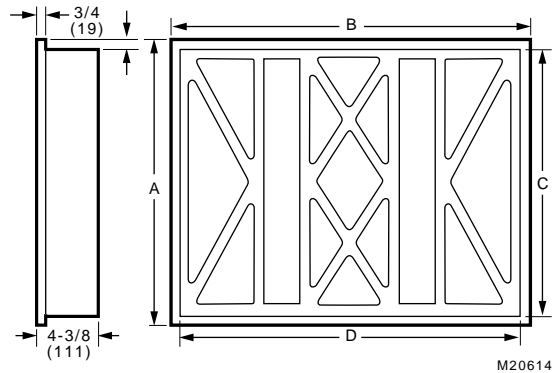
**Typical Installations:**

Installs easily in most brands of return filter grilles. See Fig 1 for typical installation.

**Dimensions:** FC40R available in three sizes. See Fig. 2 and Table 1.



**Fig. 1. Typical Ceiling Installation.**



**Fig. 2. Dimensions in in. (mm) (see Table 1).**

**Table 1. FC40R Dimensions (See Fig. 2).**

Model Number	Nominal Dimensions in in. (mm)	Dim A in in. (mm)	Dim B in in. (mm)	Dim C in in. (mm)	Dim D in in. (mm)
FC40R1003	20 X 20 (508 x 508)	19-3/4 (502)	19-3/4 (502)	18-1/2 (470)	18-1/2 (470)
FC40R1011	20 X 25 (508 x 635)	19-3/4 (502)	24-3/4 (629)	18-1/2 (470)	23-1/2 (597)
FC40R1029	20 X 30 (508 x 762)	19-3/4 (502)	29-3/4 (756)	18-1/2 (470)	28-1/2 (724)
FC40R1037	12 X 24 (305 X 610)	11-3/4 (298)	23-3/4 (603)	10-1/2 (266)	22-1/2 (571)
FC40R1045	14 x 25 (356 X 635)	13-3/4 (349)	24-3/4 (629)	12-1/2 (317)	23-1/2 (596)
FC40R1052	16 X 20 (406 X 508)	15-3/4 (400)	19-3/4 (502)	14-1/2 (368)	18-1/2 (470)
FC40R1060	16 X 25 (406 X 635)	15-3/4 (400)	24-3/4 (629)	14-1/2 (368)	23-1/2 (596)
FC40R1078	24 X 24 (610 X 610)	23-3/4 (603)	23-3/4 (603)	22-1/2 (571)	22-1/2 (571)

**Honeywell**

**Automation and Control Solutions**

Honeywell  
1985 Douglas Drive North  
Golden Valley, MN 55422

Honeywell Limited-Honeywell Limitée  
35 Dynamic Drive  
Scarborough, Ontario  
M1V 4Z9